

# Icematic®

Spare parts list • *Catalogo ricambi*  
Catalogues pièces détachées

---



**R134a**

Cod. 71503561/0 - 12/2006

## F 125 COMPACT



---

## **HOW TO ORDER SPARE PARTS**

In order to avoid expensive delays or mistakes by delivery, when you order spare parts, be sure to have indicated the right code-number, the complete description you can find on the list and the quantity for each requested part. Please also include the name of the model for which the spare parts are requested and its own serial number.

## **COME ORDINARE LE PARTI DI RICAMBIO**

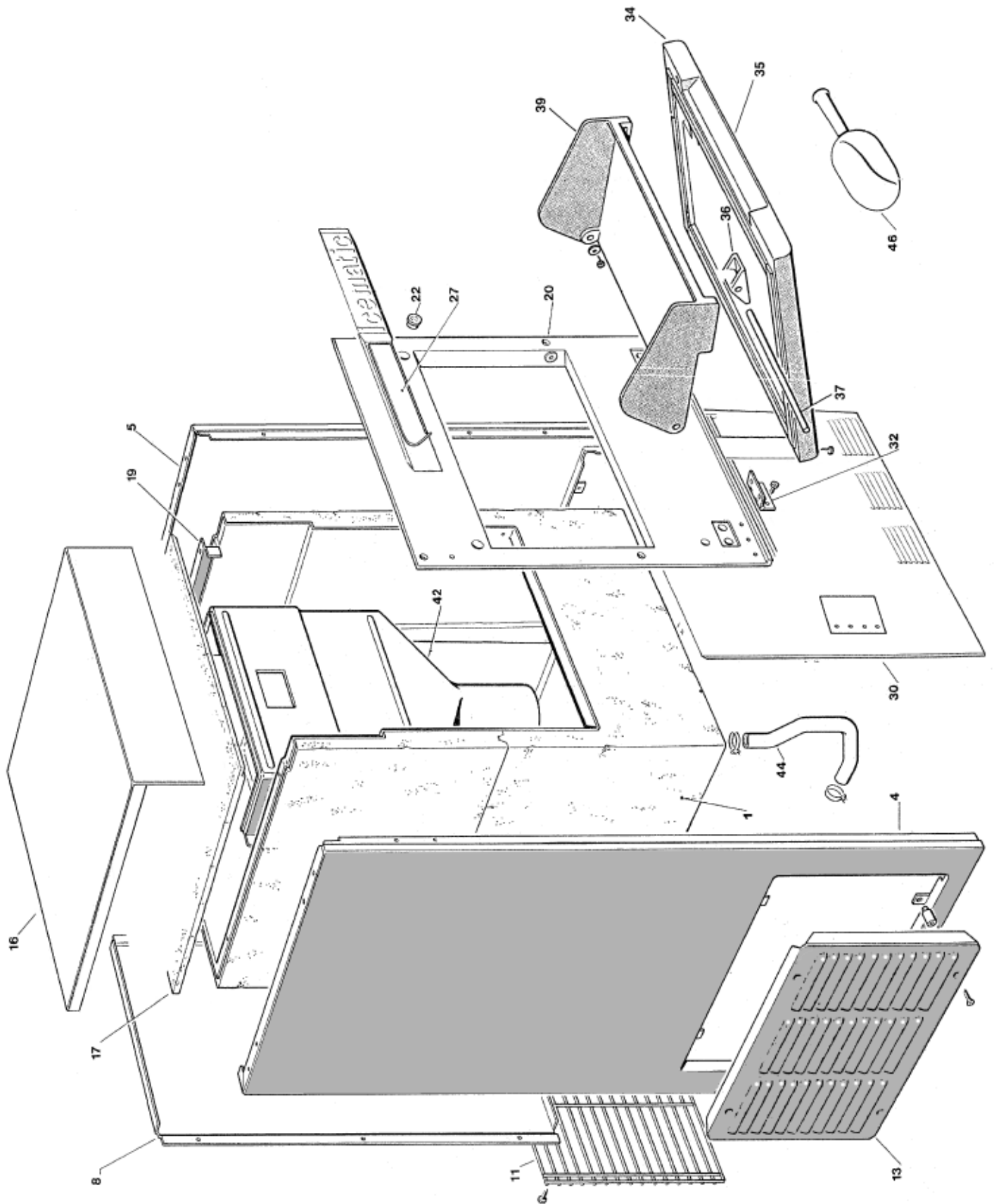
Al fine di evitare costosi ritardi od errori nella spedizione, quando ordinate le parti di ricambio, accertatevi di indicare il numero di codice, la descrizione completa che trovate sull'elenco e la quantità per ogni parte di ricambio richiesta. Includere inoltre il nome del modello per cui sono richieste le parti di ricambio ed il suo numero di serie.

## **COMMENT COMMANDER LES PIÈCES DETACHEÉS**

Pour éviter des retards coûteux ou des erreurs dans la livraison, au moment de commander les pièces détachées nous vous prions de bien vouloir vous assurer d'avoir indiqué la référence, la description complète que vous trouvez dans la liste et la quantité pour chaque pièce détachée demandée. Inclure en outre le nom du modèle pour lequel les pièces sont demandées et le numéro de série.

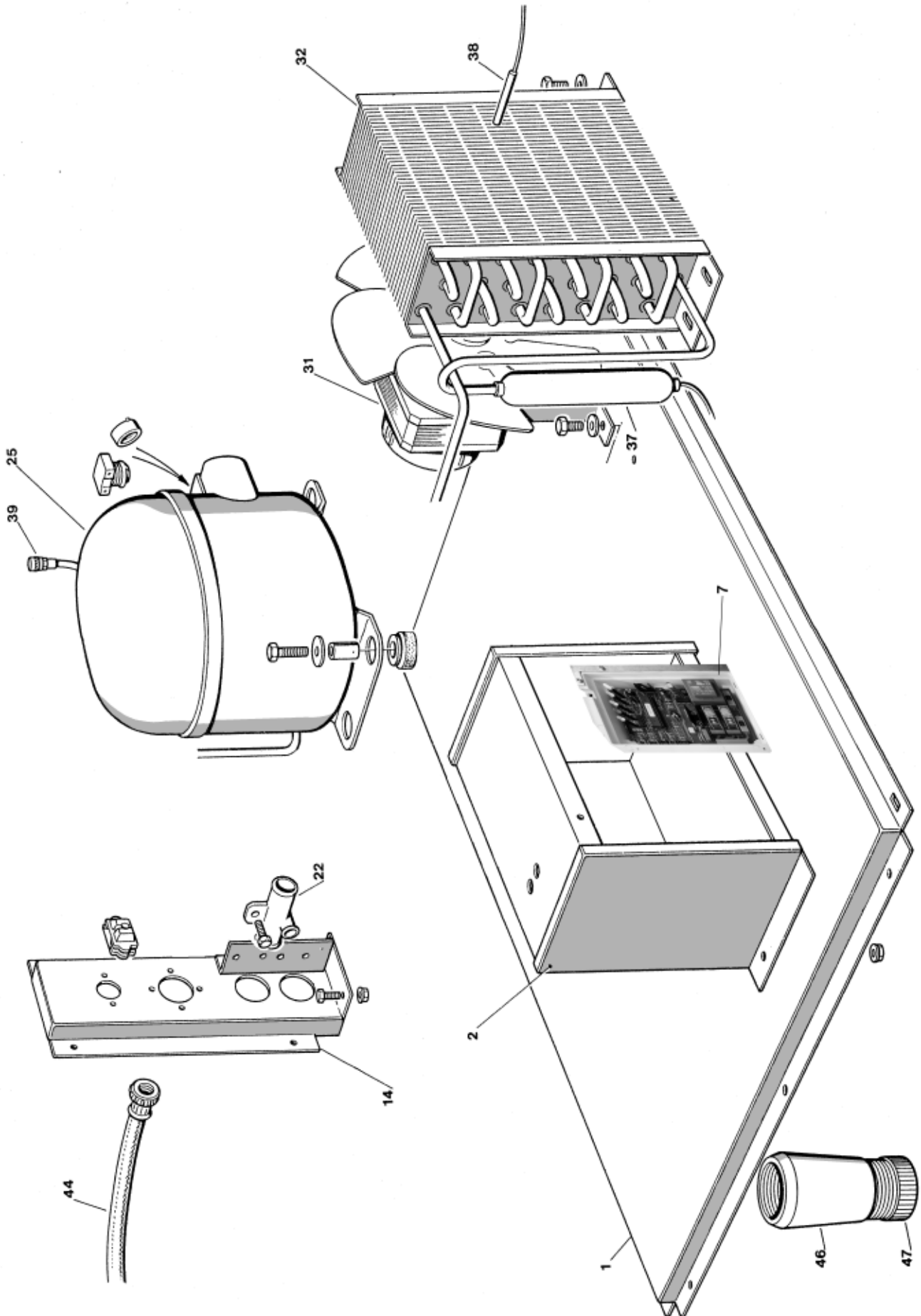
## **WIE DIE ERSATZTEILE BESTELLT WERDEN SOLLEN**

Um Fehl-b.z.w. verspätete Lieferungen zu vermeiden, geben Sie bei den Ersatzteilbestellungen die Kodenummer an. Volle Beschreibung wie in Katalog ersichtlich und Menge für sämtliche bestellte Ersatzteile sollten ebenfalls eingegeben werden. Schließlich die bestellten Ersatzteile entsprechende Seriennummer hinweisen.



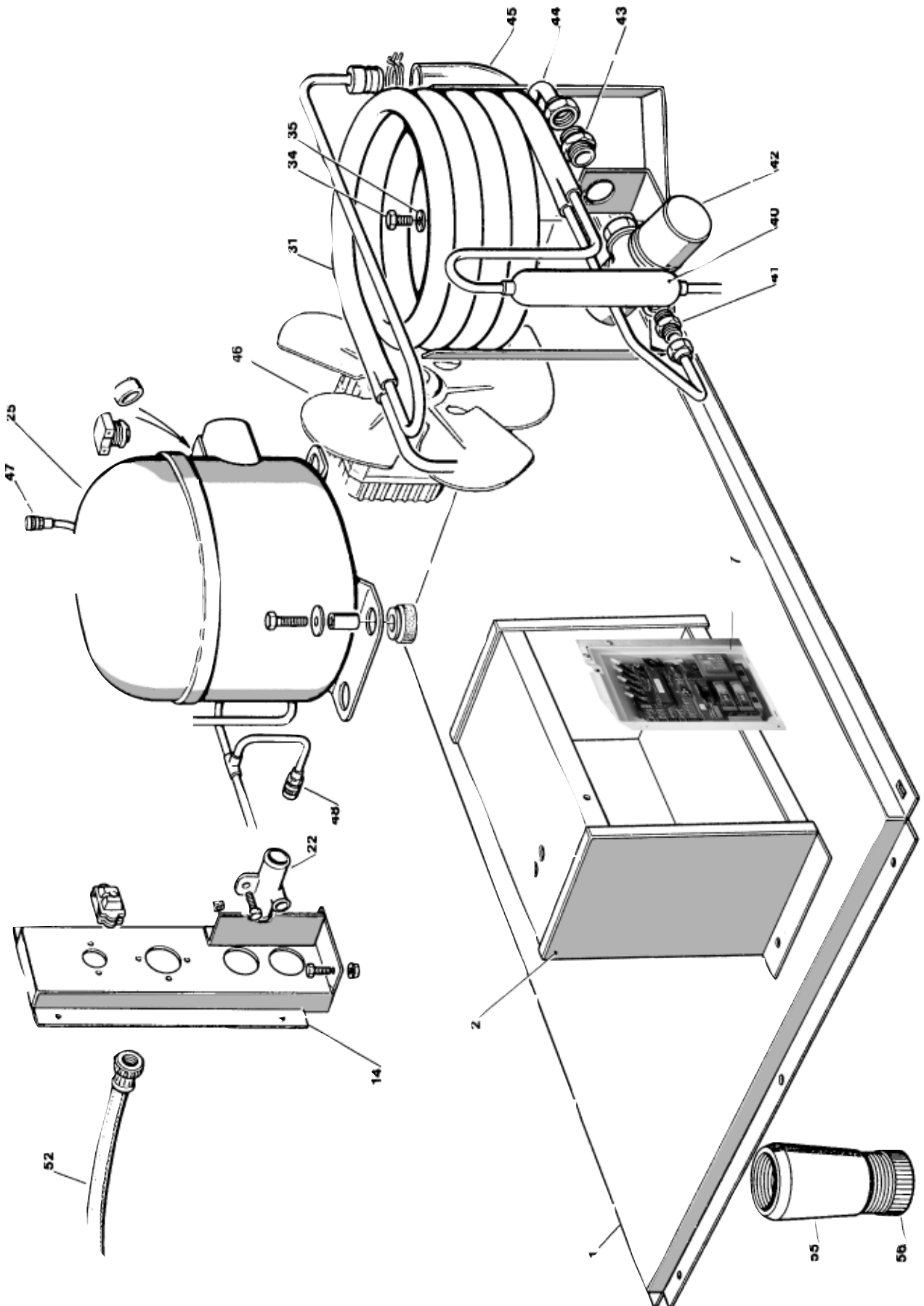
## F 125 COMPACT - ASSIEME CARROZZERIA - CABINET - ENSAMBLE CARROSSERIE

| Pos. Nr. | Codice Code | Descrizione                 | Description             | Description                 | Quantità Q.ty Q.tè |
|----------|-------------|-----------------------------|-------------------------|-----------------------------|--------------------|
| 1        | 81461001/0  | ASSIEME CONTENITORE         | ICE BIN                 | ENSEMBLE CUVE               | 1                  |
| 4        | 25330727/0  | FIANCO SINISTRO             | LEFT SIDE               | PANNEAU GAUCHE              | 1                  |
| 5        | 25330726/0  | FIANCO DESTRO               | RIGHT SIDE              | PANNEAU DROITE              | 1                  |
| 8        | 25700057/0  | SCHIENALE                   | BACK PANEL              | PANNEAU ARRIERE             | 1                  |
| 11       | 25700060/0  | GRIGLIA POSTERIORE          | BACK GRID               | GRILLE ARRIERE              | 1                  |
| 13       | 25610101/0  | PRESA D'ARIA                | AIR INTAKE              | PRISE D'AIR                 | 2                  |
| 16       | 25161103/0  | COPERCHIO                   | TOP COVER               | COUVERCLE                   | 1                  |
| 17       | 25550048/0  | PANNELLO ISOLANTE COPERCHIO | INSULATOR COVER PANEL   | COUVERCLE PANNEAU ISOLANT   | 1                  |
| 20       | 25165494/0  | CORNICE                     | FRAME                   | CORNICHE                    | 1                  |
| 22       | 41109519/0  | MAGNETE                     | MAGNET                  | MAGNETO                     | 2                  |
| 27       | 25740085/0  | ETICHETTA DENOMINAZ. F125C  | LABEL F125C             | ETIQUETTE DENOM. F125C      | 1                  |
| 28       | 29020013/0  | ETICHETTA LED               | LED LABEL               | ETIQUETTE LED               | 1                  |
| 30       | 25610097/0  | PRESA D'ARIA ANTERIORE      | FRONT AIR INTAKE        | PRISE D'AIR AVANT           | 1                  |
| 32       | 19120050/0  | CERNIERA                    | HINGE                   | CHARNIERE                   | 2                  |
| 34       | 81420524/0  | ASSIEME PORTA               | COMPLETE DOOR           | PORTE COMPLETE              | 1                  |
| 35       | 25600183/0  | PORTA                       | DOOR                    | PORTE                       | 1                  |
| 36       | 25030020/0  | ALBERINO                    | SHAFT                   | ARBRE                       | 1                  |
| 37       | 25726279/0  | SUPPORTI                    | SUPPORT                 | SUPPORT                     | 1                  |
| 39       | 25260470/0  | DEFLETTORE                  | DOOR DEFLECTOR          | DEFLECTEUR                  | 1                  |
| 42       | 25125115/0  | CARTER DI PROTEZIONE        | EVAPORATOR'S PROTECTION | PROTECTION DE L'EVAPORATEUR | 1                  |
| 44       | 25790621/0  | SCARICO                     | TUBE                    | TUYAU                       | 1                  |
| 46       | 19500100/0  | PALETTA                     | ICE SCOOP               | PELLE A GLACE               | 1                  |
| -        | 19810114/0  | TUBO SCARICO                | DRAIN WATER TUBE        | TUYAU DE DECHARGE MACHINE   | 1                  |



## F 125 COMPACT - UNITÀ CONDENSATRICE AD ARIA - AIR CONDENSING UNIT - UNITE DE CONDENSATION A AIR

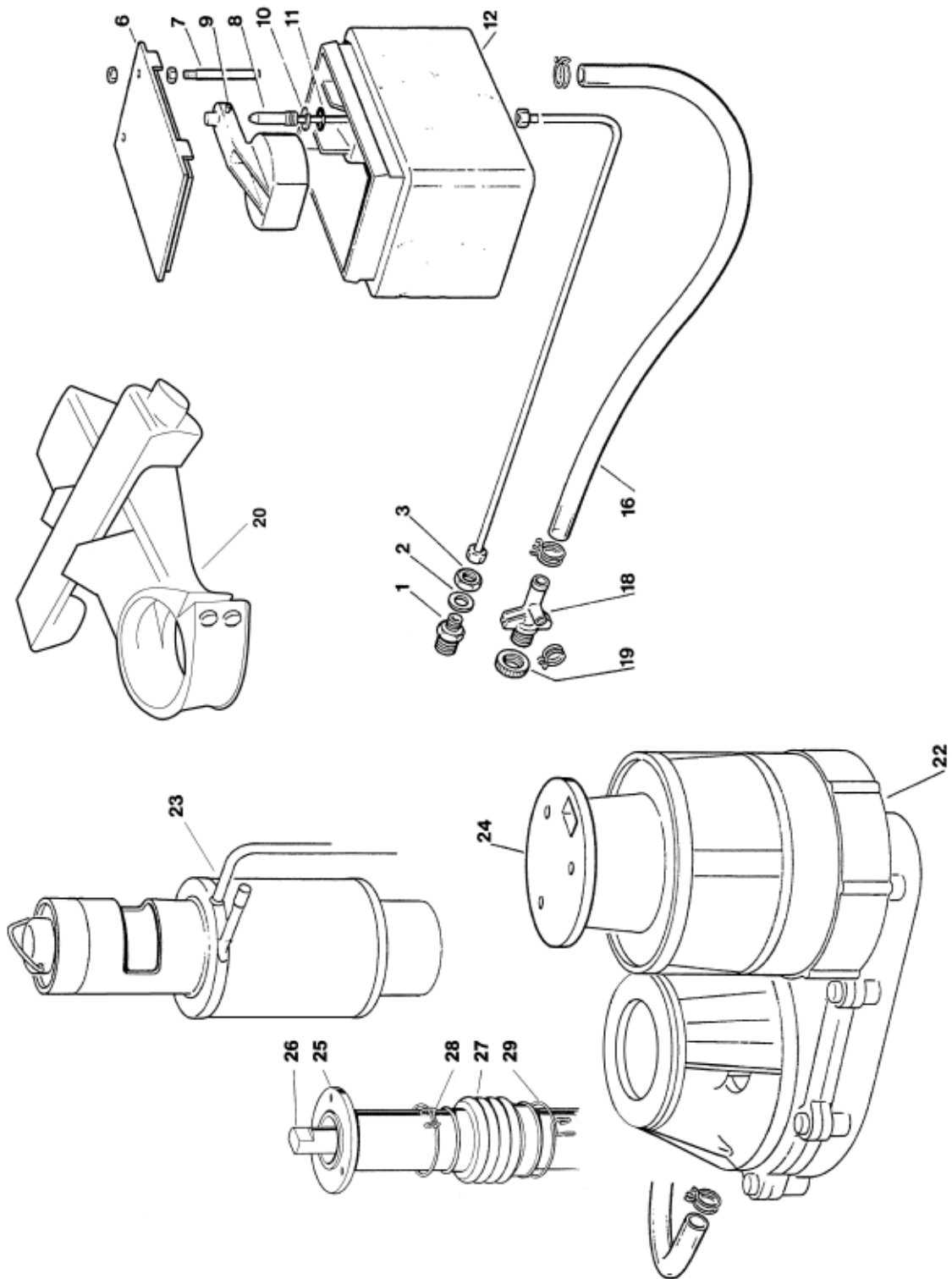
| Pos. Nr. | Codice Code | Descrizione        | Description       | Description              | Quantità Q.ty Q.tè |
|----------|-------------|--------------------|-------------------|--------------------------|--------------------|
| 1        | 81460920/0  | BASAMENTO          | BASE              | CHASSIS                  | 1                  |
| 2        | 25725538/0  | SUPPORTO SCATOLA   | BOX SUPPORT       | SUPPORT BOITER           | 1                  |
| 7        | 81469134/0  | ASS. SCHEDA        | CARD              | FICHE                    | 1                  |
| 14       | 81418352/0  | SUPPORTO           | SUPPORT           | SUPPORT                  | 1                  |
| 22       | 25690806/0  | SCARICO ACQUA      | WATER DRAIN PIPE  | RACCORD D'ECOULEMENT     | 1                  |
| 25       | 19165852/0  | COMPRESSORE R 134a | COMPRESSOR R 134a | COMPRESSEUR R 134a       | 1                  |
| 31       | 81566478/0  | MOTOVENTILATORE    | FAN MOTOR         | ELECTROVENTILATEUR       | 1                  |
| 32       | 19177505/0  | CONDENSATORE       | CONDENSER         | CONDENSATEUR             | 1                  |
| 37       | 19300804/0  | FILTRO             | DRIER             | DESHIDRATEUR             | 1                  |
| 38       | CF62040401  | SONDA CONDENSATORE | CONDENSER FEELER  | SONDE CONDENSATEUR       | 1                  |
| 39       | 81465073/0  | VALVOLA DI CARICA  | CHARGE VALVE      | VANNE CHARGE             | 1                  |
| 44       | 19810111/0  | TUBO ALIMENTAZIONE | WATER INLET TUBE  | TUYAU D'ALIMENTATION EAU | 1                  |
| 46       | 25460020/0  | MANICOTTO          | COUPLING          | RALLONGE PIED            | 4                  |
| 47       | 25570880/0  | PIEDINO            | LEVELLING FOOT    | PIED                     | 4                  |





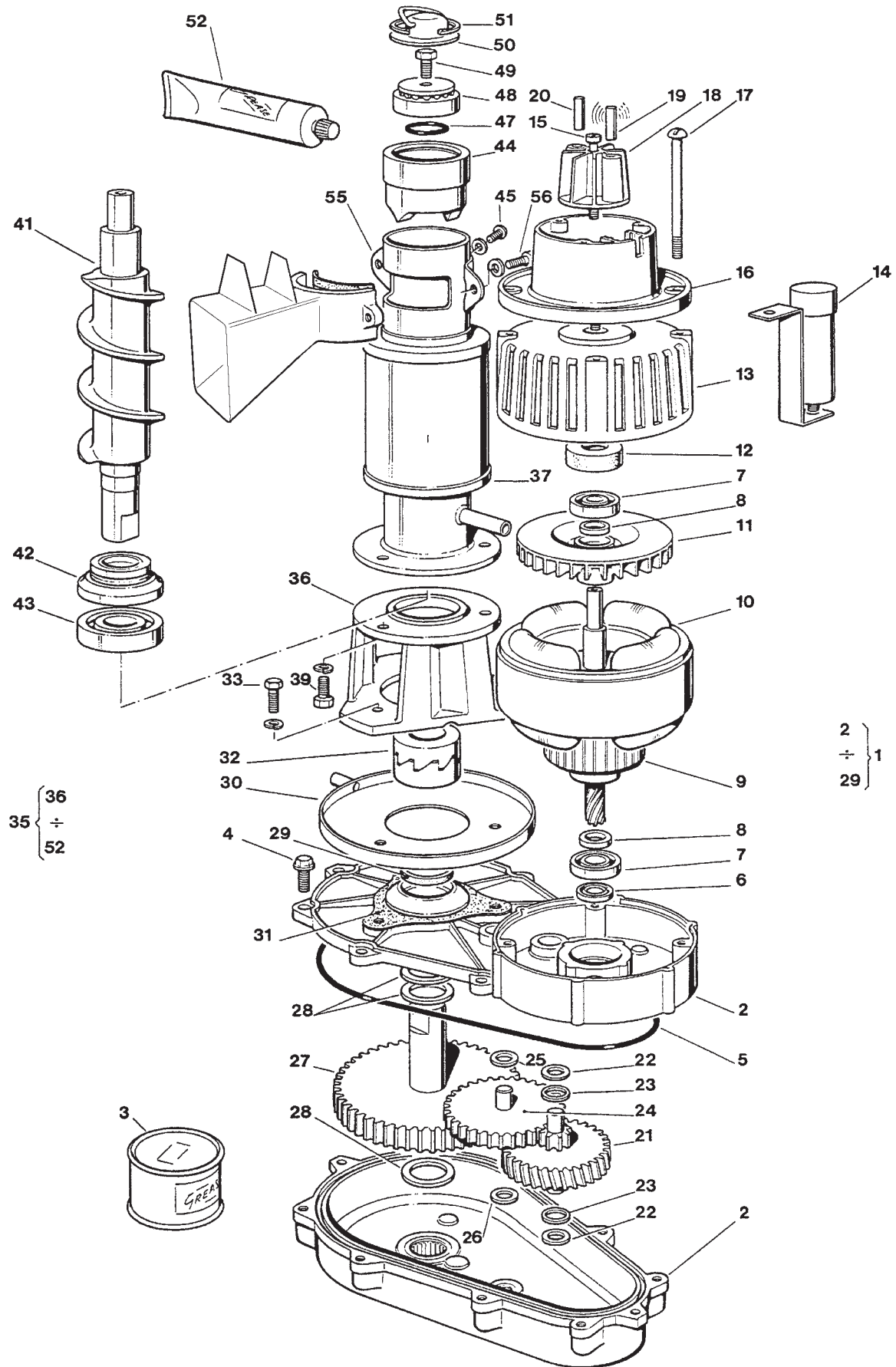
## F 125W COMPACT - UNITÀ CONDENSATRICE AD ACQUA - WATER CONDENSING UNIT - UNITE DE CONDENSATION A EAU

| Pos. Nr. | Codice Code | Descrizione              | Description           | Description                | Quantità Q.ty Q.tè |
|----------|-------------|--------------------------|-----------------------|----------------------------|--------------------|
| 1        | 81460920/0  | BASAMENTO                | BASE                  | CHASSIS                    | 1                  |
| 2        | 25725538/0  | SUPPORTO SCATOLA         | BOX SUPPORT           | SUPPORT BOITER             | 1                  |
| 7        | 81469134/0  | ASS. SCHEDA              | CARD                  | FICHE                      | 1                  |
| 14       | 81418352/0  | SUPPORTO                 | SUPPORT               | SUPPORT                    | 1                  |
| 22       | 25690806/0  | SCARICO ACQUA            | WATER DRAIN PIPE      | RACCORD D'ECOULEMENT       | 2                  |
| 25       | 19165852/0  | COMPRESSORE R 134a       | COMPRESSOR R 134a     | COMPRESSEUR R 134a         | 1                  |
| 31       | 81460071/0  | CONDENSATORE             | CONDENSER             | CONDENSATEUR               | 1                  |
| 40       | 19300804/0  | FILTRO                   | DREIER                | DESHYDRATEUR               | 1                  |
| 41       | 25631040/0  | RACCORDO                 | PIPE-FITTING          | RACCORD                    | 1                  |
| 42       | 19865611/0  | VALVOLA PRESSOSTATICA    | AUTOMATIC WATER VALVE | VANNE À EAU PRESSOSTATIQUE | 1                  |
| 43       | 25631042/0  | RACCORDO                 | PIPE-FITTING          | RACCORD                    | 1                  |
| 44       | 25791195/0  | TUBO ENTRATA ACQUA       | INLET WATER TUBE      | TUYAU D'EAU                | 1                  |
| 45       | 25760004/0  | TUBO SCARICO ACQUA       | DRAIN WATER TUBE      | TUYAU D'ECOULEMENT         | 1                  |
| 46       | 18562501/0  | VENTILATORE              | FAN                   | VENTILATEUR                | 1                  |
| 47       | 81465073/0  | VALVOLA DI CARICA        | CHARGE VALVE          | VANNE CHARGE               | 2                  |
| 52       | 19810111/0  | TUBO ALIMENTAZIONE ACQUA | WATER INLET TUBE      | TUYEAU D'ALIMENTATION EAU  | 1                  |
| 55       | 25460020/0  | MANICOTTO                | COUPLING              | RALLONGE PIED              | 4                  |
| 56       | 25570880/0  | PIEDINO                  | LEVELLING FOOT        | PIED                       | 4                  |
| -        | 19810114/0  | TUBO SCARICO             | DRAIN WATER TUBE      | TUYEAU D'ECOULEMENT        | 2                  |



**F 125 COMPACT - WATER SYSTEM AND INSULATIONS - CIRCUITO IDRAULICO ED ISOLAMENTI  
CIRCUIT HYDRAULIQUE ET ISOLATIONS - WASSERKREISLAUF UND ISOLIERUNG**

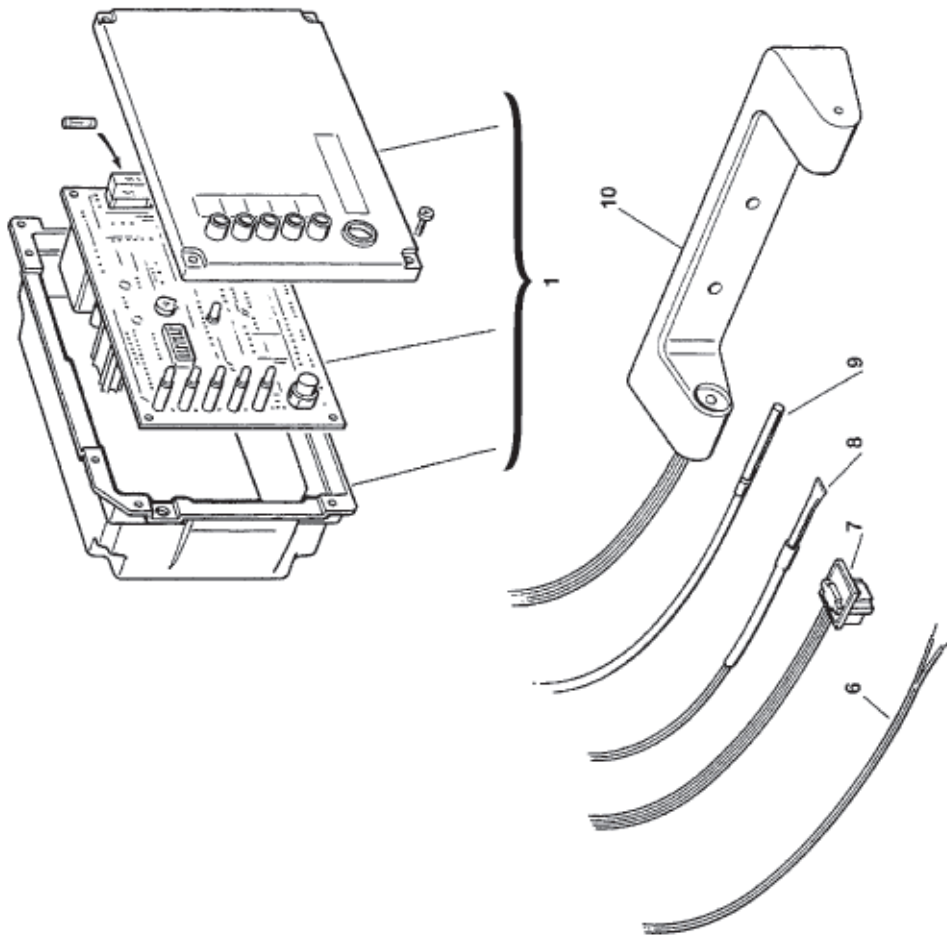
| Pos. Nr. | Codice Code    | Descrizione              | Description                  | Description                     | Quantità Q.ty Q.tè |
|----------|----------------|--------------------------|------------------------------|---------------------------------|--------------------|
| 1        | CF 733205 00   | WATER INLET FITTING      | RACCORDO INGRESSO ACQUA      | RACCORD ARRIVEE D'EAU           |                    |
| 2        | CF 400031 00   | FIBER WASHER             | RONDELLA IN FIBRA            | RONDELLE EN FIBRE               |                    |
| 3        | CF 400030 01   | NUT                      | DADO                         | ECROU                           |                    |
| 6        | CF 660363 00   | WATER RESERVOIR COVER    | COPERCHIO VASCHETTA          | COUVERCLE                       |                    |
| 7        | CF 724215 06   | WATER LEVEL METAL PIN    | PERNO SENSORE LIVELLO ACQUA  | DETECTEUR NIVEAU EAU            |                    |
| 8        | CF 783153 00   | NOZZLE                   | UGELLO                       | GICLÉUR                         |                    |
| 9        | CF 783127 00   | FLOAT VALVE ASSY         | ASS. GALLEGGIANTE            | ENS. VANNE A FLOTTEUR           |                    |
| 10       | CF 460038 02   | CLIP RING                | ANELLO SEEGER                | CIRCLIP                         |                    |
| 11       | CF 640100 00   | O RING                   | GUARNIZIONE OR               | JOINT TORIQUE                   |                    |
| 12       | CF 793126 01   | WATER RESERVOIR ASSY     | ASS. VASCHETTA GALLEGGIANTE  | ENS. RÉSERVOIR                  |                    |
| 13       | CF 281222 00   | PLASTIC TUBE - PER MTR   | TUBO IN PLASTICA - PER METRO | TUYAU EN PLASTIQUE - POUR METRE |                    |
| 16       | CF 281832 00   | PLASTIC TUBE - PER MTR   | TUBO IN PLASTICA - PER METRO | TUYAU EN PLASTIQUE - POUR METRE |                    |
| 18       | CF 660224 00   | WATER DRAIN FITTING      | RACCORDO SCARICO ACQUA       | RACCORD EVACUATION EAU          |                    |
| 19       | CF 660535 00   | PLASTIC RING NUT         | GHIERA IN PLASTICA           | COLLIER DE SERRAGE EN PLASTIQUE |                    |
| 20       | 19054501/0     | S.S. ICE SPOUT           | BOCCHETTA SCARICO GHIACCIO   | BEC VERSEUR                     |                    |
| 22       | CF 794225 13 R | GEAR REDUCER ASSY        | ASS. MOTORIDUTTORE           | ENS. MOTOREDUCTEUR              |                    |
| 23       | CF 794236 07 R | FREEZER ASSY             | ASS. FREEZER                 | ENS. FREEZER                    |                    |
| 24       | CF 650515 02   | GEAR MOTOR PLASTIC COVER | PROTEZIONE MOTORE            | PROTECTION MOTEUR               |                    |
| 25       | 81463051/0     | TUBO PROLUNGA            | EXTENSION TUBE               | TUYAU RALLONGE                  | 1                  |
| 26       | 25030014/0     | ALBERO                   | SHAFT                        | ARBRE                           | 1                  |
| 27       | 25702591/0     | SOFFIETTO                | BELLOWS                      | SOUFFLET                        | 1                  |
| 28       | 25474606/0     | MOLLA                    | SPRING                       | RESSORT                         | 1                  |
| 29       | 25474607/0     | MOLLA                    | SPRING                       | RESSORT                         | 1                  |



**F 125 COMPACT - FREEZER AND GEAR REDUCER ASSY - ASSIEME FREEZER E RIDUTTORE  
ENS. FREEZER ET MOTOREDUCTEUR - GEFRIERZYLINDER UND GETRIEBEEINHEIT**

| ITEM NO<br>POS NO<br>REP. NO<br>REF. NO | PART NO - CODICE<br>REFERENCE - STUECK NR | DESCRIPTION         | DESCRIZIONE                 | DESIGNATION                 |
|---|---|---------------------|-----------------------------|-----------------------------|
| 1                                       | CF 79422513 R                             | GEAR REDUCER ASSY   | ASS. RIDUTTORE              | ENS. MOTORÉDUCTEUR          |
| 2                                       | CF 001015 01                              | CASE ASSY FOR GEARS | ASS. SCATOLA PER INGRANAGGI | ENS. CARTER POUR            |
| 3                                       | CF 060294 01                              | GREASE (1KG)        | GRASSO (1KG)                | GRAISSE (1KG) FETT (1KG)    |
| 4                                       | CF 031251 01                              | SCREW               | VITE                        | VIS SCHRAUBE                |
| 5                                       | CF 640084 00                              | O RING              | GUARNIZIONE OR              | JOINT TORIQUE O RING        |
| 6                                       | CF 640083 00                              | GEASE SEAL          | PARAOLIO                    | PARAHUILE SCHMIERDICHTUNG   |
| 7                                       | CF 651056 00                              | BEARING             | CUSCINETTO                  | ROULEMENT LAGER             |
| 8                                       | CF 441800 09                              | TRUST WASHER        | RONDELLA DI RASAMENTO       | RONDELLE. UNTERLEG SCHEIBE  |
| 9                                       | CF 794123 03 R                            | ROTOR ASSY          | ASS. ROTORE                 | ENS. ROTOR ROTOR EINHEIT    |
| 10                                      | CF 620394 00                              | STATOR ASSY         | ASS. STATORE                | ENS. STATOR STATOREINHEIT   |
| 11                                      | CF 764001 00                              | FAN BLADE           | VENTOLA                     | HELICE FLÜGEL/RAD           |
| 12                                      | CF 640095 00                              | RUBBER INSERT       | INSERTO IN GOMMA            | BAGUE CAOUTCHOUC            |
| 13                                      | CF 794226 01                              | DRIVE MOTOR COVER   | COPERCHIO MOTORE            | COUVERCLE MOTEUR            |
| 14                                      | CF 620292 04                              | CAPACITOR           | CONDENSATORE                | CONDENSATEUR                |
| 15                                      | CF 031403 77                              | SCREW               | VITE                        | VIS                         |
| 16                                      | CF 650515 01                              | PLASTIC HOUSING     | ALLOGGIAMENTO IN PLASTICA   | BÔITE DETECTEUR EFF. HALL   |
| 17                                      | CF 423872 01                              | SCREW               | VITE                        | VIS                         |
| 18-19-20                                | CF 784476 00                              | MAGNETO ASSY        | ASS. SUPPORTO MAGNETE       | ENS. SUPPORT DU MAGNETO     |
| 21                                      | CF 651160 00                              | 1SR GEAR & PINION   | INGRANAGGIO IN FIBRA        | ENGRANAGE EN CELERON        |
| 22                                      | CF 441800 06                              | TRUST WASHER        | RONDELLA DI RASAMENTO       | RONDELLE                    |
| 23                                      | CF 441800 05                              | TRUST WASHER        | RONDELLA DI RASAMENTO       | RONDELLE                    |
| 24                                      | CF 651161 00                              | 2ND GEAR & PINION   | INGRANAGGIO INTERMEDIO      | 2eme ENGRANAGE ET PIGNON    |
| 25                                      | CF 441800 08                              | TRUST WASHER        | RONDELLA DI RASAMENTO       | RONDELLE                    |
| 26                                      | CF 441800 07                              | TRUST WASHER        | RONDELLA DI RASAMENTO       | RONDELLE                    |
| 27                                      | CF 651162 01                              | OUTPUT GEAR & SHAFT | INGRANAGGIO FINALE          | PIGNON-ENGR. D'ENTRAINEMENT |
| 28                                      | CF 441808 00                              | TRUST WASHER        | RONDELLA DI RASAMENTO       | RONDELLE                    |
| 29                                      | CF 640019 01                              | GREASE SEAL         | PARAOLIO                    | PARAHUILE                   |
| 30                                      | CF 784062 00                              | DRIP TRAY           | RACCOGLIGOCCE               | GOUELLE EAU                 |
| 31                                      | CF 640060 00                              | GASKET              | GUARNIZIONE                 | JOINT                       |
| 32                                      | CF 060359 00                              | COUPLING            | GIUNTO                      | BAGUE D'ACCOUPLMENT CPL     |
| 33                                      | CF 421052 00                              | SCREW               | VITE                        | VIS                         |
| 35                                      | CF 794236 07 R                            | FREEZER ASSY        | ASS. FREEZER                | ENS. FREEZER                |
| 36                                      | CF 764010 00                              | ALUMINIUM ADAPTER   | SUPPORTO DI ALLUMINIO       | SUPPORT                     |
| 37                                      | CF 784260 09                              | WORM TUBE ONLY      | TUBO EVAPORATORE            | CYLINDRE EVAPORATEUR        |
| 39                                      | CF 421591 00                              | SCREW               | VITE                        | VIS                         |
| 41                                      | CF 724052 07                              | AUGER               | COCLEA                      | VIS SANS FIN                |
| 42                                      | CF 640040 00                              | WATER SEAL          | ASSIEME PREMISTOPPA         | GARNITURE D'ETANCHEITE      |
| 43                                      | CF 670011 01                              | LO BEARING          | CUSCINETTO INFERIORE        | PALIER INFERIEUR            |
| 44                                      | CF 754001 02                              | ICE BREAKER ONLY    | ROMPIGHIACCIO               | BROYEUR                     |
| 45                                      | CF 420000 26                              | SCREW               | VITE                        | VIS                         |
| 47                                      | CF 640041 01                              | O RING              | GUARNIZIONE OR              | JOINT TORIQUE               |
| 48                                      | CF 670041 00                              | TOP BEARING         | CUSCINETTO SUPERIORE        | PALIER SUPERIEUR            |
| 49                                      | CF 420030 00                              | SCREW               | VITE                        | VIS                         |
| 50                                      | CF 734105 00                              | CAP                 | CALOTTA                     | CALOTTE                     |
| 51                                      | CF 650297 00                              | CLIP RING           | ANELLO SEEGER               | CIRCLIP                     |
| 52                                      | CF 263612 00                              | WATER PROOF GREASE  | GRASSO IDRORPELL.           | GRAISSE                     |
| 55                                      | CF 724087 00                              | SPOUT PLATE         | VITE                        | VIS                         |
| 56                                      | CF 420002 05                              | SCREW               | VITE                        | VIS                         |
| —                                       | <b>CF 001028 07</b>                       | <b>BEARING KIT</b>  | <b>KIT CUSCINETTI</b>       | <b>KIT PALIER</b>           |
|   |   |                     |                             |                             |

**F 125 C - P.C. BOARD AND SENSOR ASSY - SCHEDA ELETTRONICA E SENSORI**  
**ENS. CARTE ELECTRONIQUE ET DETECTEURS - ELEKTRONISCHE KARTE UND TEMPERATURFUEHLERENHEIT**



**F125C - P.C. BOARD AND SENSOR ASSY - SCHEDA ELETTRONICA E SENSORI  
ENS. CARTE ELECTRONIQUE ET DETECTEURS - ELEKTRONISCHE KARTE UND TEMPERATURFUEHLERENHEIT**

| ITEM NO<br>POS NO<br>REF. NO<br>REP. NO | PART NO<br>CODICE<br>REFERENCE<br>STUECK NR | DESCRIPTION             | DESCRIZIONE                  | DESIGNATION                 | BESCHREIBUNG                 |
|---|---|-------------------------|------------------------------|-----------------------------|------------------------------|
| 1                                       | 81469134/0                                  | PC BOARD + BOX ASSY     | ASSIEME SCHEDA + BOX         |                             |                              |
| 6                                       | CF 620404 04                                | WATER LEVEL SENSOR      | SENSORE LIVELLO ACQUA        | CAPEUR NIVEAU EAU           | WASSERNIVEAUFÜHLER           |
| 7                                       | CF 620404 03                                | HALL EFFECT SENSOR      | SENSORE EFFETTO HALL         | CAPEUR EFFECT HALL          | HALL EFFEKT-FÜHLER           |
| 8                                       | CF 620404 01                                | CONDENSER TEMP. SENSOR  | SENSORE TEMP. CONDENSATORE   | CAPEUR TEMP. CONDENSEUR     | KONDENSATORTEMPERATURFUEHLER |
| 9                                       | CF 620404 10                                | EVAPORATOR TEMP. SENSOR | SENSORE TEMP. EVAPORATORE    | CAPEUR TEMP. ÉVAPORATEUR    | VERDAMPFERTEMPERATURFUEHLER  |
| 10                                      | 33580104/0                                  | ICE LEVEL CONTROL ASSY  | ASS. CONTR. LIVELLO GHIACCIO | ENS. DETECTEUR NIVEAU GLACE | EISNIVEAUFUEHLERENHEIT       |

# Castel MAC SpA

Via del Lavoro, 9 C.P. 172  
I - 31033 Castelfranco Veneto (TV) Italy  
Tel. (0423) 738455 - Fax (0423) 722811  
E-mail: [service@castelmac.it](mailto:service@castelmac.it)  
Web-site: [www.castelmac.it](http://www.castelmac.it)

Cod. 71503561/0 - 12/2006

